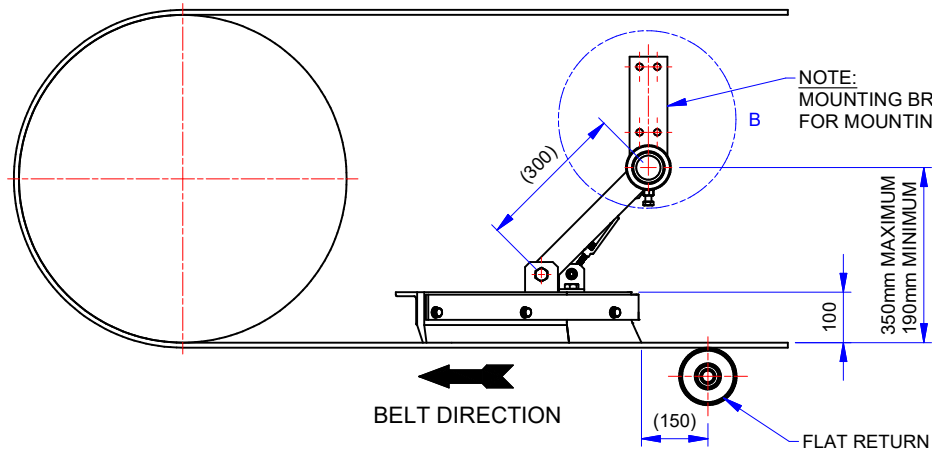


DETAIL B



NOTE:
MOUNTING BRACKETS HAVE 360° OF ROTATION
FOR MOUNTING POSITION, SEE IOMM FOR FULL DETAILS

NOTE:
REPLACEMENT BLADE ITEM CODE 210062

© 2016 BELLE BANNE CONVEYOR PRODUCTS
ALL RIGHTS RESERVED

THIS DOCUMENT (DRAWING) AND THE DATA SHOWN THEREON IS THE PROPERTY AND CONFIDENTIAL INFORMATION OF BELLE BANNE CONVEYOR PRODUCTS. DO NOT USE, COPY OR REPRODUCE IN ANY MANNER OR FOR ANY PURPOSE WHATSOEVER, WITHOUT THE PRIOR WRITTEN CONSENT OF BELLE BANNE CONVEYOR PRODUCTS.

GENERAL NOTES

1. WELDING SYMBOLS STANDARD TO ISO 2553 METHOD A.
2. REMOVE ALL BURRS AND SHARP EDGES
3. ALL DIMENSIONS IN MILLIMETERS UNLESS OTHERWISE STATED.
4. THIRD ANGLE PROJECTION

REV	DESCRIPTION	BY	DATE
0	ISSUED FOR APPROVAL	NL	08/02/2017

MATERIAL	-
PLATE INDICATOR	MATERIAL CODE
ESTIMATED WEIGHT	56
	WEIGHT UNITS
	kg
SIMILAR TO	MACHINE MODEL
ORIGINAL BY	NLindley
REVISED BY	NLindley
ORIGINAL DATE	8/02/2017
REVISD DATE	
CHANGE NO.	VERSION
	0
DRAWING USE	SCALE
CAD SYSTEM	INVENTOR
	SHEET
	1 OF 1

A2	BELLE BANNE CONVEYOR PRODUCTS
DESCRIPTION	
VEE PLOUGH - SINGLE POLE, 750mm	
750 mm BELT WIDTH	
ITEM CODE.	210003

