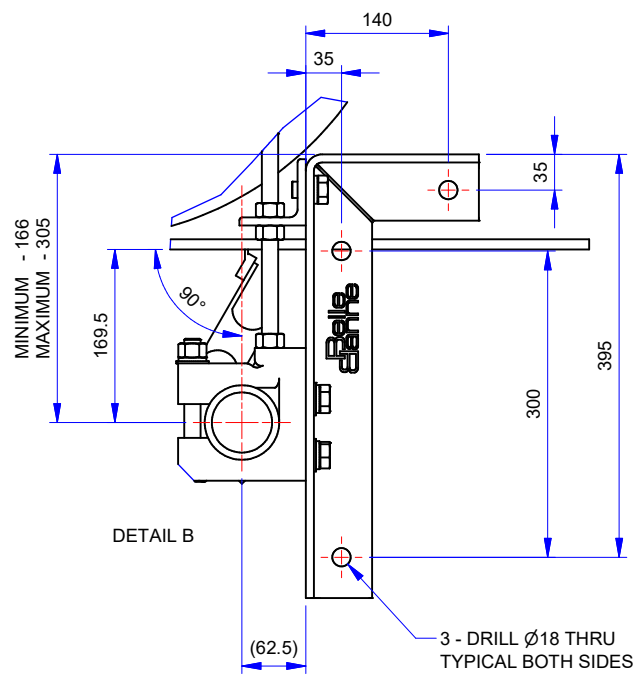
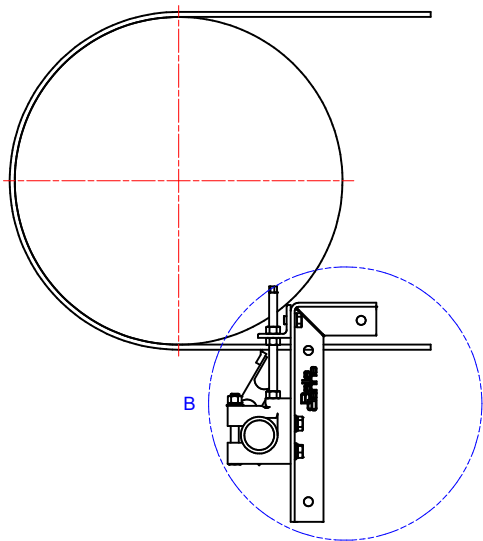
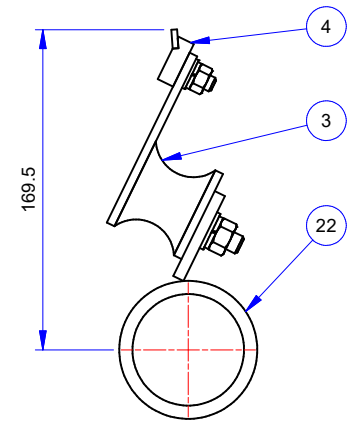
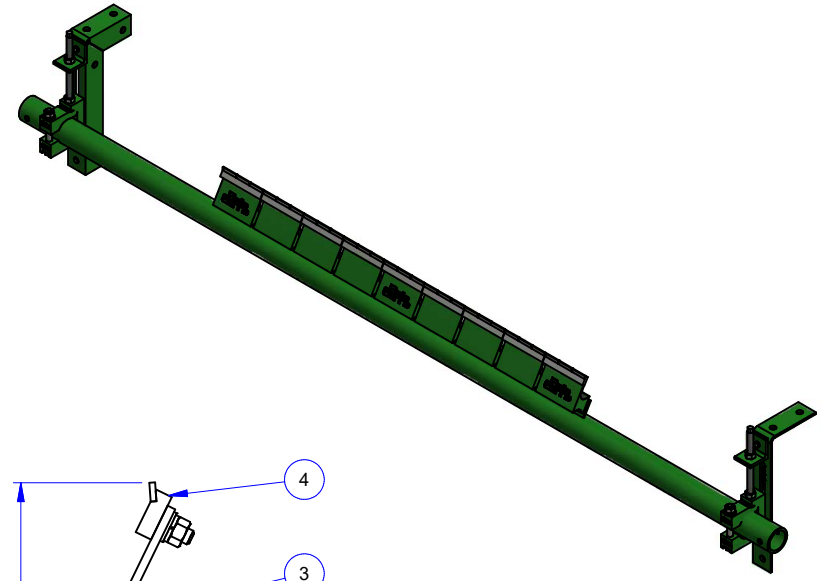


MINIMUM - DIMENSION "B" + 150 mm
 MAXIMUM - DIMENSION "A" - 300 mm



DETAIL B

3 - DRILL Ø18 THRU
 TYPICAL BOTH SIDES



- NOTES:
- REFER TO THE "P - BELT CLEANER IOMM" FOR FULL INSTALLATION, OPERATION AND MAINTENANCE INSTRUCTIONS
 - THE TIP IS DESIGNED TO PERFORM CORRECTLY WHEN THE TIP MEETS THE BELT AT 90 deg (NOM), REFER TO THE "IOMM" FOR FULL DETAILS

ITEM	ITEM CODE	DESCRIPTION	QTY
4	120026	TUNGSTEN TIP	9
3	120025	CUSHION, STANDARD	9
2	120019	POLE 1400 mm - 73 mm DIA	1
1	120032	SIDE ASSEMBLY (COMPLETE)	1

© 2016 BELLE BANNE CONVEYOR PRODUCTS
 ALL RIGHTS RESERVED

THIS DOCUMENT (DRAWING) AND THE DATA SHOWN THEREON IS THE PROPERTY AND CONFIDENTIAL INFORMATION OF BELLE BANNE CONVEYOR PRODUCTS. DO NOT USE, COPY OR REPRODUCE IN ANY MANNER OR FOR ANY PURPOSE WHATSOEVER, WITHOUT THE PRIOR WRITTEN CONSENT OF BELLE BANNE CONVEYOR PRODUCTS.

- GENERAL NOTES
- WELDING SYMBOLS STANDARD TO ISO 2553 METHOD A.
 - REMOVE ALL BURRS AND SHARP EDGES
 - ALL DIMENSIONS IN MILLIMETERS UNLESS OTHERWISE STATED.
 - THIRD ANGLE PROJECTION

REV	DESCRIPTION	BY	DATE

MATERIAL	-		
PLATE INDICATOR	MATERIAL CODE	-	
ESTIMATED WEIGHT	56	WEIGHT UNITS	kg
SIMILAR TO			
ORIGINAL BY	NLindley		
REVISED BY	NLindley		
ORIGINAL DATE	12/10/2016	REVISED DATE	
CHANGE NO.		VERSION	0
DRAWING USE		SCALE	
CAD SYSTEM	INVENTOR	SHEET	1 OF 1

A2 BELLE BANNE CONVEYOR PRODUCTS

DESCRIPTION
 P - BELT CLEANER, MILD STEEL
 1400 mm BELT WIDTH

ITEM CODE: 120007

BBCP
 www.bbc.com.au
 e-mail info@bbc.com.au